

FIKSNI BRISOLEJI I ŽALUZINE

FIXED SUN BREAKERS AND SHUTTERS

Brisoleji se koriste za "zasjenjivanje" većih površina, pa čak i čitavih fasada, a mogu biti fiksni ili pokretni. Kod brisoleja lamele mogu biti orijentirane horizontalno ili vertikalno, a upravljanje je na prekidač ili daljinskim upravljačem.

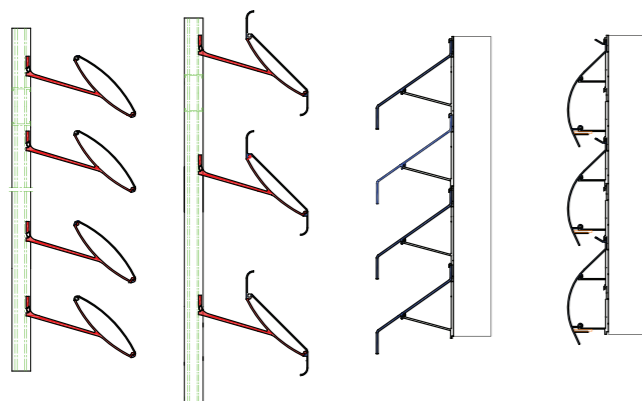
Sun breakers are usually utilized for bigger areas, even on whole perimeter of curtain walls. These products have a more solid structure than louver shutters and can be fixed and adjustable. Adjustable sunbreakers can be oriented horizontally and vertically and they are driven by motor which can be controlled by switch or remote controller.

Tehničke karakteristike:

Veličina lamela: 140 i 220 mm
Mogućnost montaže lamele u 4 položaja, 45, 60, 75, 90 stupnjeva

Technical features:

Dimension of slats: 140 and 220 mm
Possibility of assembly of slats in 4 positions: 45, 60, 75, 90 degrees

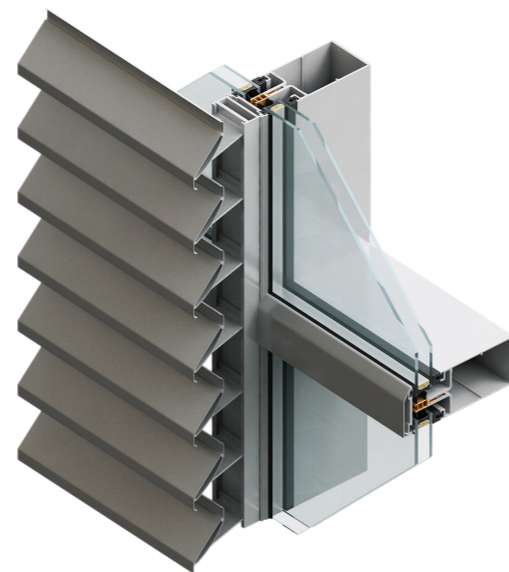
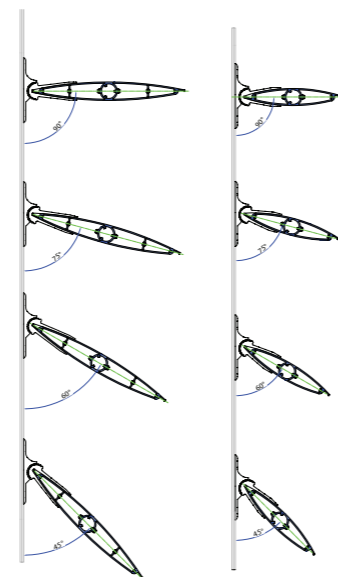
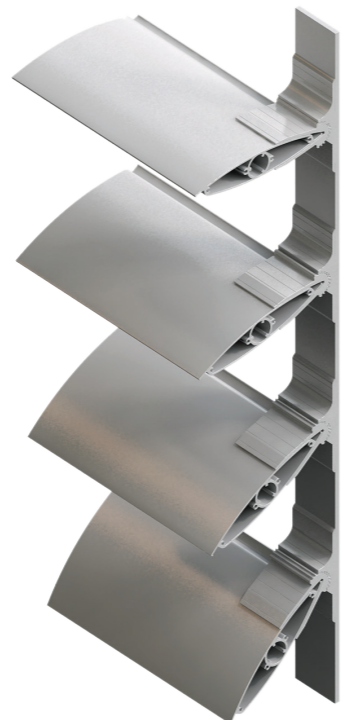


Tehničke karakteristike:

Veličina lamela: 112,5, 118 i 149 mm

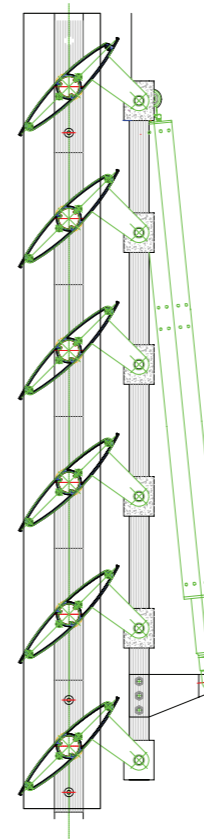
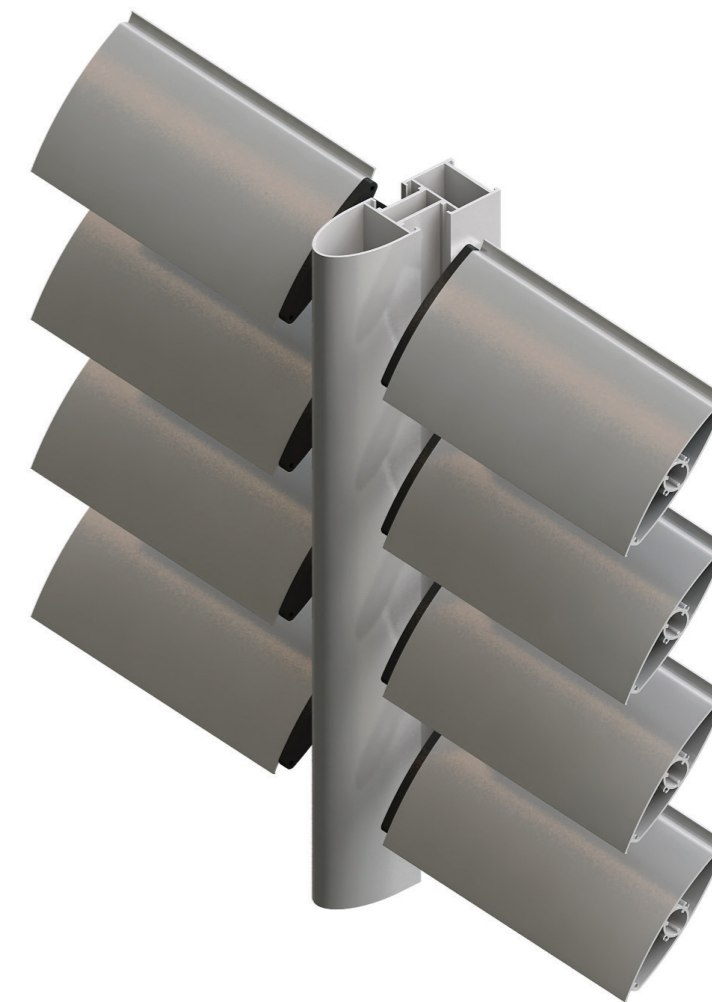
Technical features:

Dimension of slats: 112,5, 118 and 149 mm



FEAL SUN 55

POKRETNI BRISOLEJI ADJUSTABLE SUN BREAKERS



Tehničke karakteristike:

Montiranje lamela je vodoravno ili okomito
Elektromotorni pogon
Širina lamela: 140, 220, 290, 400 i 700 mm.
Mogućnost automatskog podešavanja ovisno o kutu upada sunčevih zraka.

Technical features:

Vertical or horizontal assembly of slats
Electromotor drive
Dimensions of slats: 140, 220, 290 and 400 mm.
Slats are adjustable for regulation of luminous intensity inside the building.